

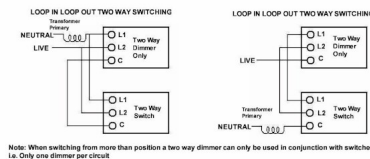
## 79C1X2V

### Hartland CFX | HARTLAND CFX RANGE | Inductive Leading Edge Push On/Off Rotary 2 Way Switching Dimmers

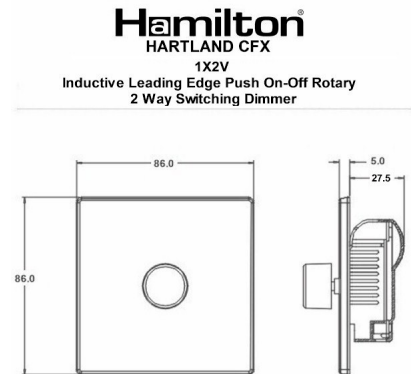
Item Image



Wiring




Dimensions



Primary Range	Hartland CFX
Insert Type	1 gang 200VA Inductive Leading Edge Push On/Off Rotary 2 Way Switching Dimmer
Insert Colour	Antique Brass
EAN13 Barcode	5017504299118
Commodity Code	85365015
Luckins TSI	388241659
Dimensions(Nominal)	Single: Height = 86.0mm Width = 86.0mm Depth = 5.0mm
Weight	223 GR
Switched Poles	Single
Current Rating	0.8 Amp
Voltage	220/250V AC
Maximum Load	200VA (low voltage) Min Load 25VA
Mains Frequency	50Hz
IP Rating	IP2XD
Contact Gap Minimum	None
Terminal Capacity 1	2x1mm <sup>2</sup>
Terminal Capacity 2	2x1.5mm <sup>2</sup>
Earth Terminal Capacity 1	5x1mm <sup>2</sup>
Earth Terminal Capacity 2	4 x 1.5mm <sup>2</sup>
Earth Terminal Capacity 3	3 x 2.5mm <sup>2</sup>
Earth Terminal Capacity 4	1 x 4mm <sup>2</sup> Multi-strand
Earth Terminal Capacity 5	1 x 6mm <sup>2</sup>
Product Class 1	Face plate must be earthed
Ambient Operating Temperature	-5° to +40°C
Recommended Location	Internal Use Only
Maximum Installation Altitude	2000m
Standard/Approval	BS EN 60669-1

## 79C1X2V

### Hartland CFX | HARTLAND CFX RANGE | Inductive Leading Edge Push On/Off Rotary 2 Way Switching Dimmers

Additional Notes	LEADING EDGE TECHNOLOGY DIMMERS for use with low voltage toroidal transformers and some LED lamps. When dimming LED lamps de-rated by 75% - please contact our Technical for compatibility. NOTE:It is recommended to contact the manufacturer of the transformer to confirm that it is dimmable and is considered to be an inductive load.	
All products listed conform to current British or European standard and the product information is correct at the time of going to press.	All accessories are manufactured under an accredited BS EN ISO 9001 : 2015 Quality Management System.	It is the policy of the company to improve products as part of our development programme. Therefore, we reserve the right to alter designs and dimensions without prior notice.
Illustrations and diagrams are reproduced within the limitations of reproduction and printing process and are not binding.	Due to manufacturing processes we cannot guarantee an exact colour match and shadings of of certain finishes.	Correct as at 28 October 2020 08:33 PM E&OE
<p>R Hamilton &amp; Co Ltd, Unit 10 Carrick Business Centre, 4-5 Bonville Road, Brislington, Bristol, BS4 5NZ  T: +44 (0)1747 860088 F: +44 (0)1179 710414  E: info@hamilton-litestat.com www.hamilton-litestat.com  Registered Office 1 Rushmills, Bedford Road, Northampton NN4 7YB  Registered in London No. 941624 VAT Registration No. 222 6607 84</p>		
79C1X2V - Hartland CFX Antique Brass 1 gang 200VA Inductive Leading Edge Push On-Off Rotary 2 Way Switching Dimmer Antique Brass		